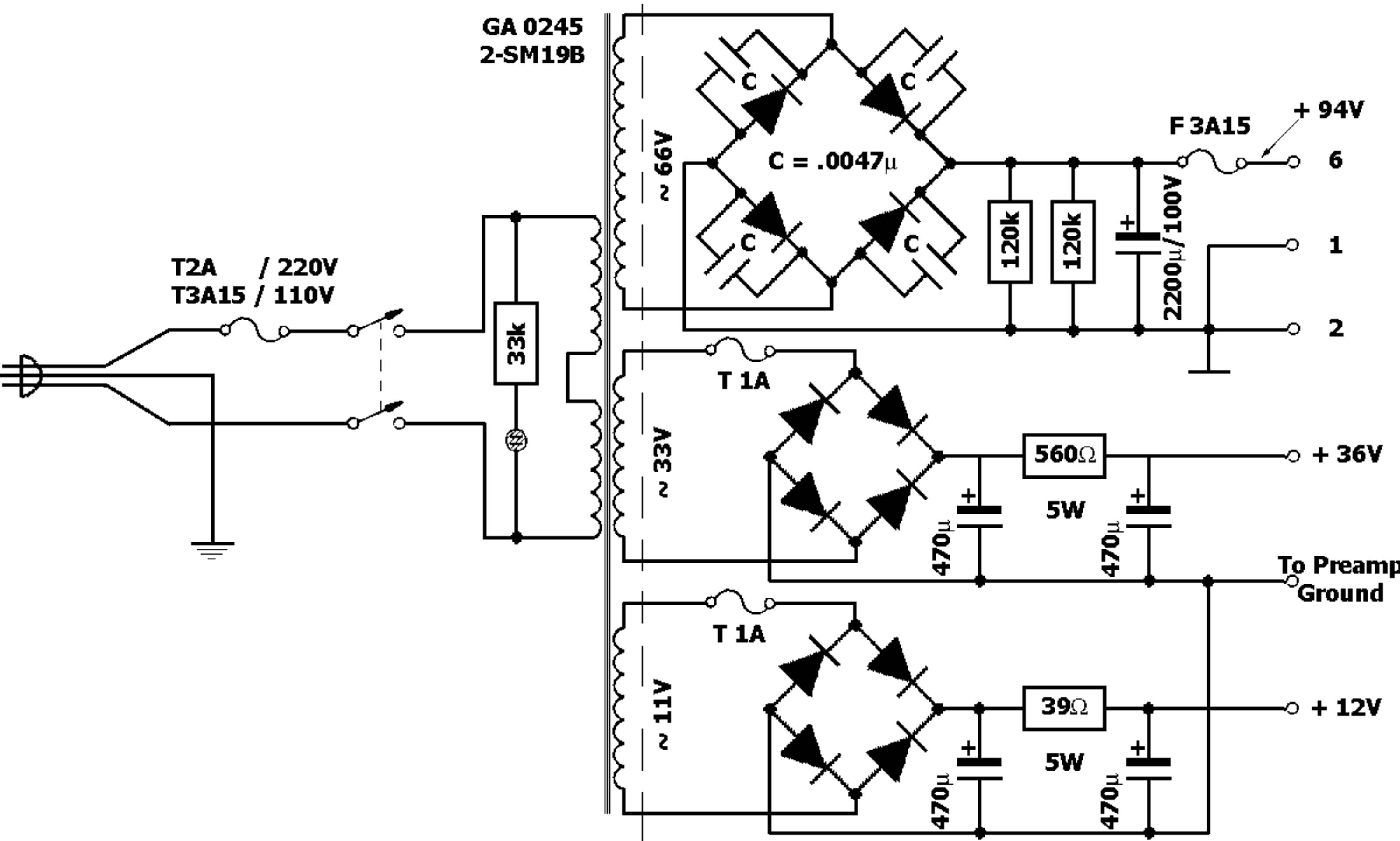
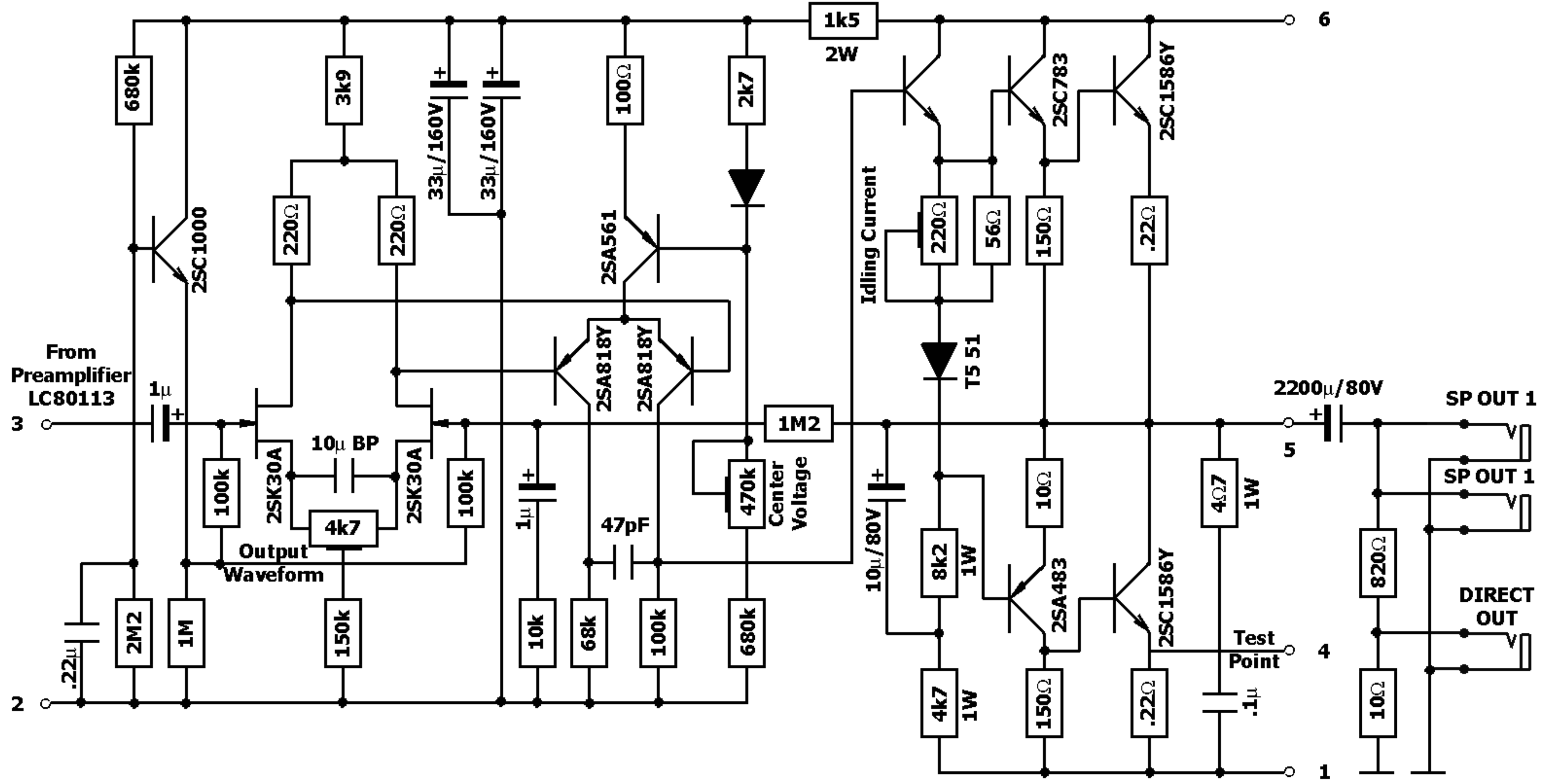


4. Channel 2 PCB are LC80113
 3. Channel 1 PCB are LC80123
 2. All resistors are 1/4 W
 1. All transistors are 2SC1000; 2SC1681GR
 Notes: Unless otherwise specified

Yamaha		
G100-212 I		
Preamp		
DRAWN	DATE	S/N
<i>Kiki</i>	2003/07/16	



2. Power Amplifier PCB are LC82080
 1. Power Supply PCB are LC15965
 Notes: Unless otherwise specified

Yamaha		
G100-212 I		
Preamplifier		
DRAWN	DATE	S/N
<i>Kiki</i>	2003/07/16	